

| Metric Conversions | |
|--------------------|---------------|
| R 30 | 11 3/16" |
| R 45 | 1' - 5 3/32" |
| R 50 | 1' - 7 1/16" |
| R 55 | 1' - 9 3/32" |
| R 60 | 1' - 11 5/16" |
| R 65 | 2' - 1 9/32" |
| MP 70 | 2' - 3 3/16" |
| R 75 | 2' - 5 1/32" |
| R 90 | 2' - 11 1/16" |
| 1.5 Meters | 4' - 11 1/8" |
| 2.4 Meters | 7' - 10 1/2" |
| 2.7 Meters | 8' - 10 3/8" |

GENERAL NOTES:

A. Desuta Concrete Forms (DCF) has prepared these drawings based on information provided to DCF by its customer. These drawings are intended to illustrate a proper manner for the erection and use of the goods shown on these drawings, based on the information supplied by the customer as to the intended use of these goods.

B. DCF makes no warranties, expressed or implied, including the implied warranties of merchantability and fitness for a particular purpose.

C. The customer and not DCF, has the responsibility for the actual use of the drawings and the erection and use of the goods; for the checking of accuracy of field details and dimensions; for identifying and complying with all state and local laws, ordinances and codes; and for renewing scaffolding, shoring and forming in place.

D. DCF shall have no responsibility for any of the above matters. DCF shall have no liability for loss, liability or expense incurred by the customer for personal injury, property damage, or economic injury (including consequential damages) incurred by the customer arising out of or caused by any defect in the drawings or the goods.

E. DCF's only responsibility in the event of a defect is to repair or replace the defective drawings or goods.

FORMWORK DESIGN NOTES:

A. Walls & brace all formwork joints that are not tied.

B. Job built filters and/or bulkheads, along with all job built formwork, are the customer's design and construction responsibility.

C. Inspect completed formwork before pouring to assure proper placement and secure connections of ties, wedge bolts and other associated hardware.

D. Do not attach scaffold brackets to forms without proper consideration and prevention of overturning tendency. Customer to erect guard rails, planks, and toe boards to local codes.

E. Connect forms with wedge bolts 6" from each corner of each form and at every crossmember 12" o.c. when forming columns, girders, and corners.

F. Do not weld or bend, or otherwise alter ties or other accessories as is may seriously reduce their strength. Do not try to force position of forms or ties by striking or hammering on ends of wire ties.

G. Lift handles and intercostal rods are to be used to manually transport forms or as an integral structure member. They are not to be used as a support or for any other purpose. They are not to be used as hand holds, man supports in climbing, or safety sling attachments. H. Braces are shown for alignment and plumbing only. They are not intended to restrict concrete pressures or wind loading and should be considered inadequate for these purposes.

I. For safety guidelines, refer to OSHA publication 401 Guide to Safety Procedures for Vertical Concrete Formwork.

FORMWORK PRESSURE

This drawing is based on a maximum allowable concrete pressure of 1250 P.S.F. per A.C.I. committee 347-04 pressure formulas for rate of pour at indicated temperature. It is the contractor's responsibility to adjust the pour rates and placement procedures to comply with the above noted pressure.

PRESSURE FORMULAS

Rate less than 7 ft/hr, Wall height <14' : $P = CwCc(150 + 9000R/T)$
 Rate 7 ft/hr to 15 ft/hr or less than 7 ft/hr with wall height >14' :
 $P = CwCc(150 + 43400/T + 2800 R/T)$
 $P = CwCc(150 + 43400/T + 2800 R/T)$

NOTE: Max. pressure not to exceed wh, min. allow pressure is 600 Cw. Do not use pressures in excess of wh.

LIST OF PRESSURE INCREASES

Multiply value from pressure chart by unit weight and chemistry coefficients to obtain pressure for design of wall forms.

UNIT WEIGHT COEFFICIENT, Cw

Concrete weighing less than 140 pcf Cw = 0.5 (1 + w/145) but not less than 0.80
 Concrete weighing 140 to 150 pcf Cw = 1.0
 Concrete weighing more than 150 pcf Cw = w/145

CHEMISTRY COEFFICIENT, Cc

Types I, II and III Cement without retarders* 1.0
 Types I, II and III Cement with a retarder* 1.2

Other types or blends without retarders containing less than 70% slag or less than 40% fly ash 1.2
 Other types or blends with retarders containing less than 70% slag or less than 40% fly ash 1.4
 Blends containing more than 70% slag or 40% fly ash 1.4

*Retarders include any admixtures such as retarders, retarding water reducers, or retarding midrange or high-range water-reducing admixtures that delay the setting of concrete.

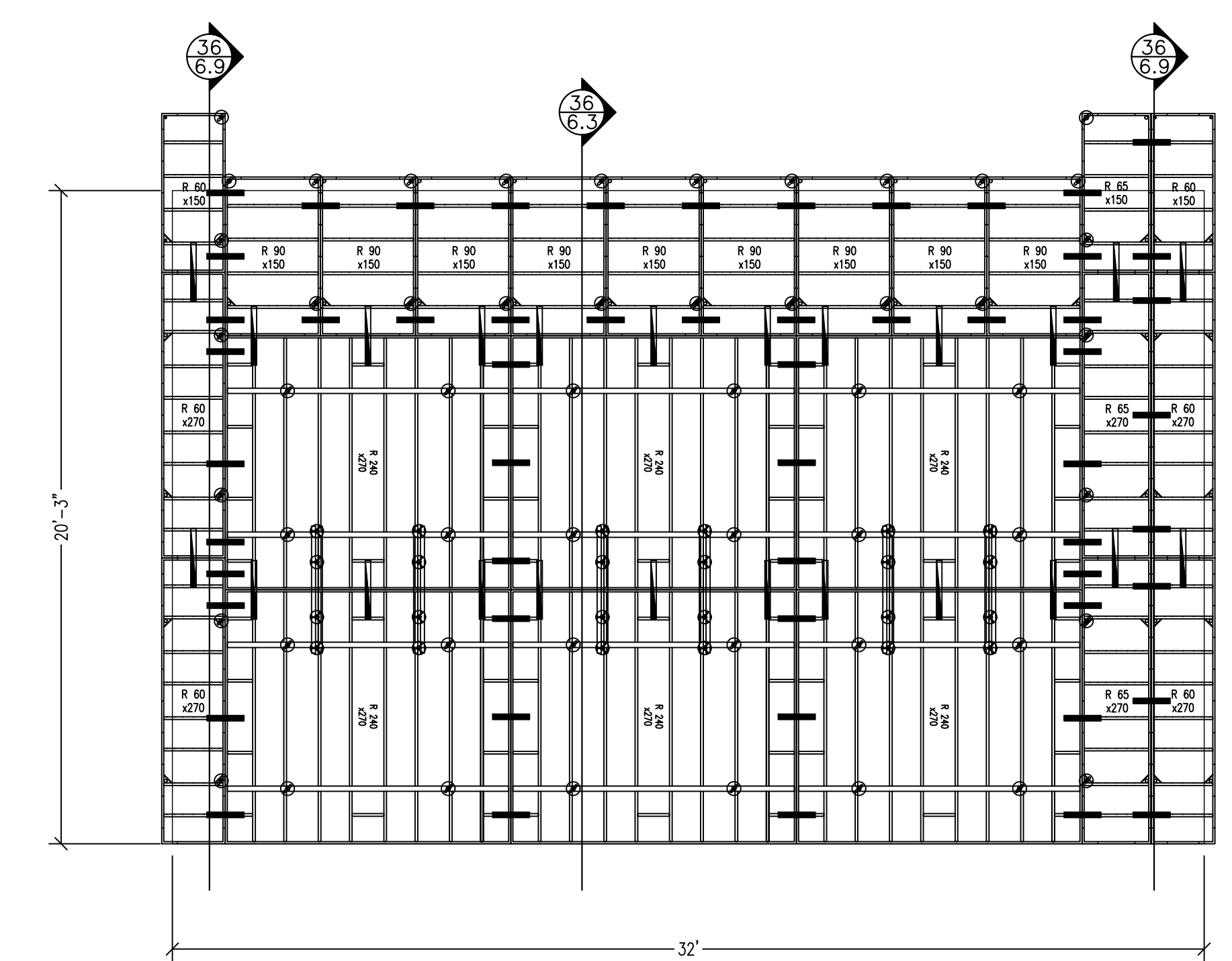
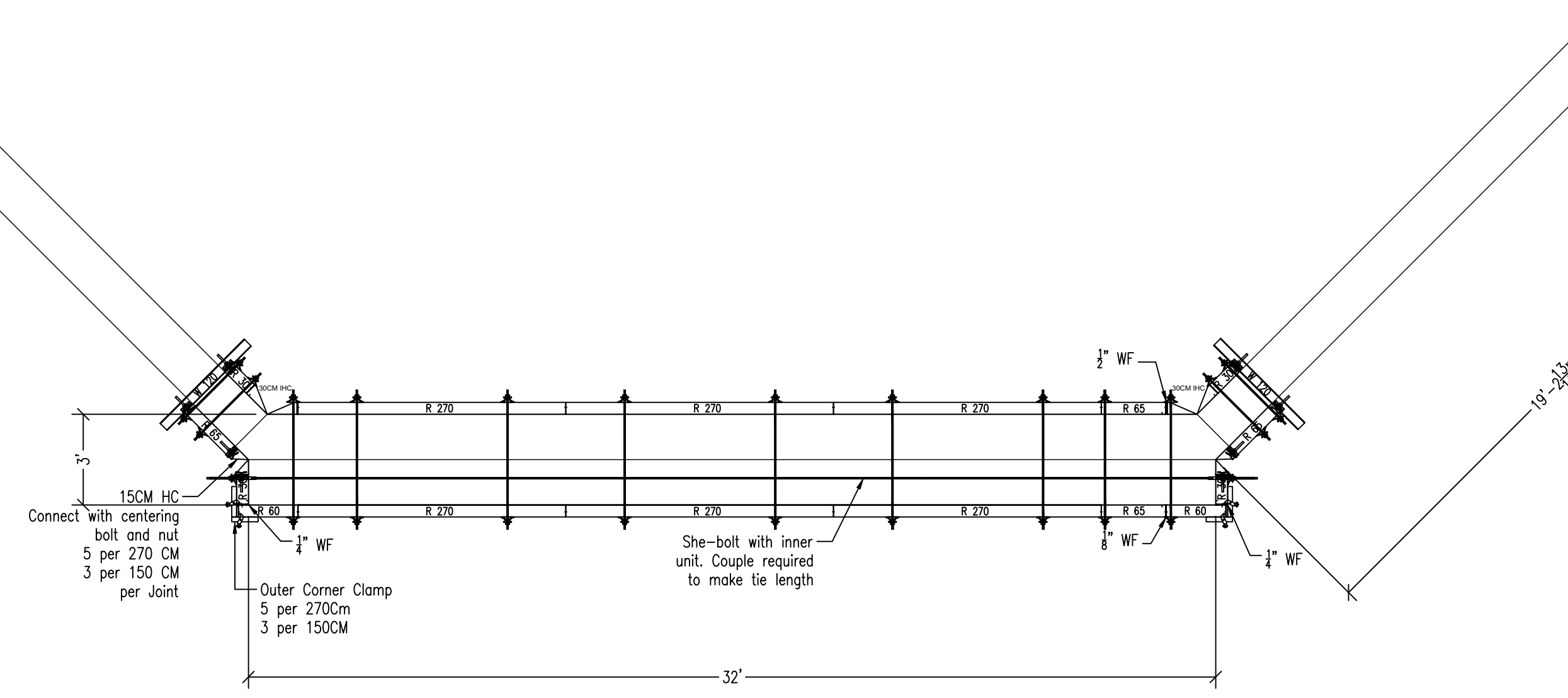
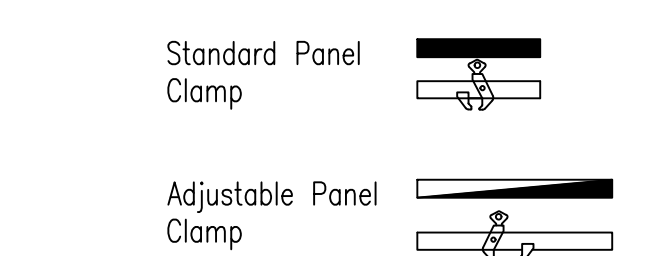
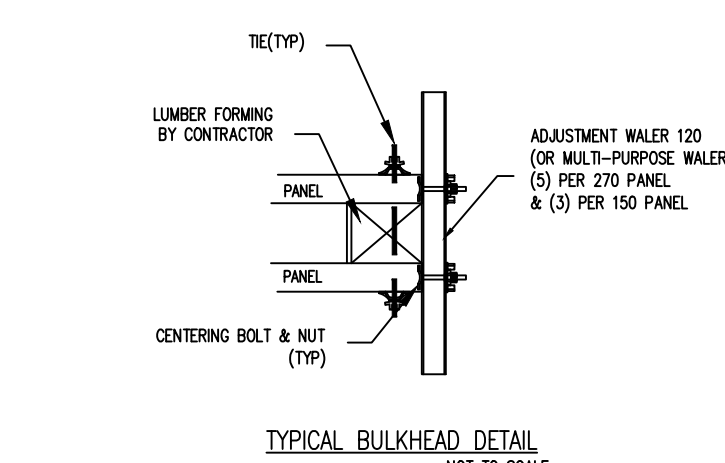
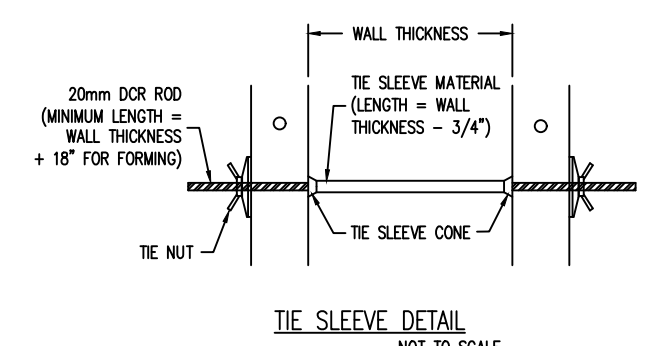
FORMWORK TIES

THE SAFE LOAD CAPACITY * OF THE TIES USED IN THIS LAYOUT IS 39.2K# UNLESS NOTED OTHERWISE.

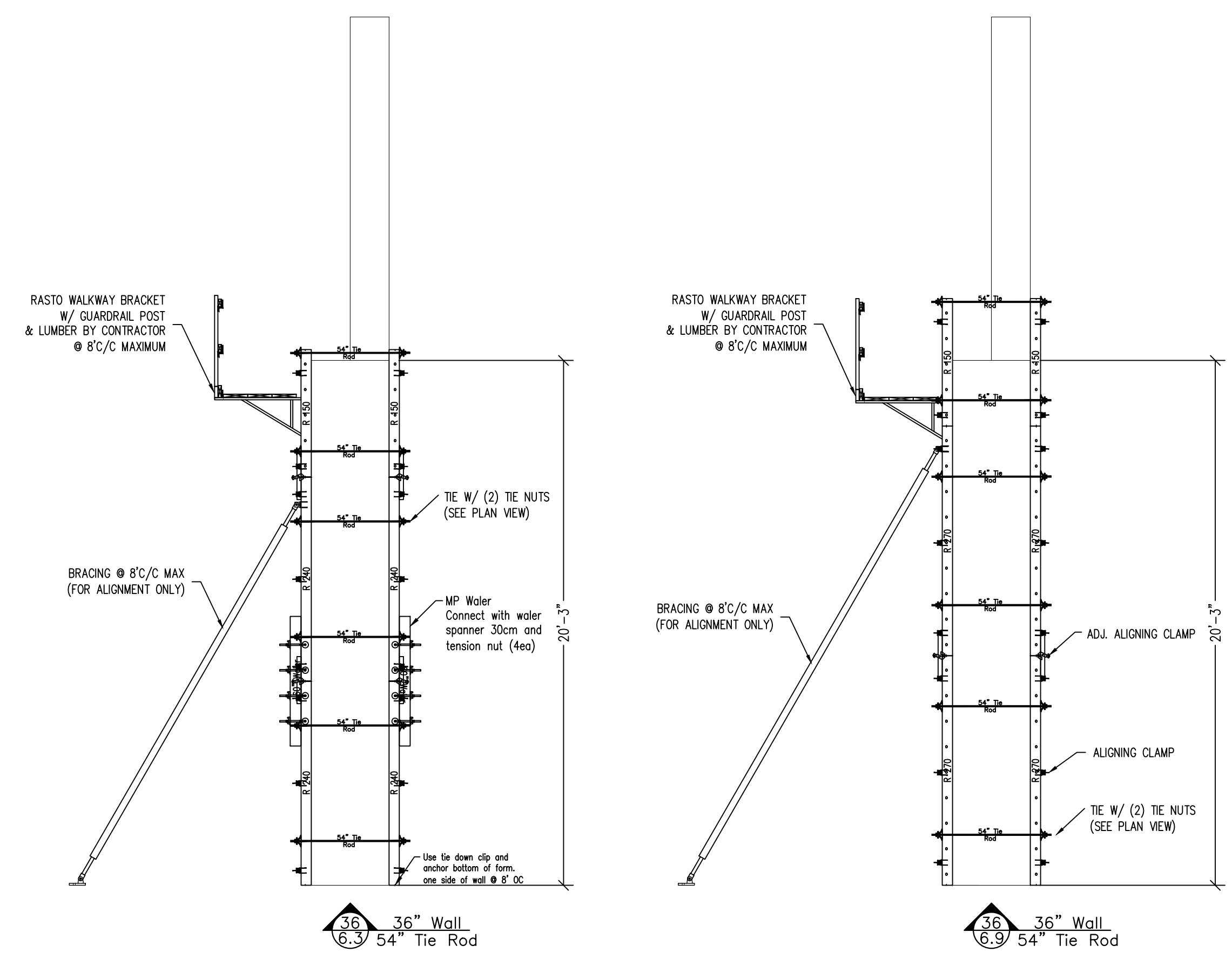
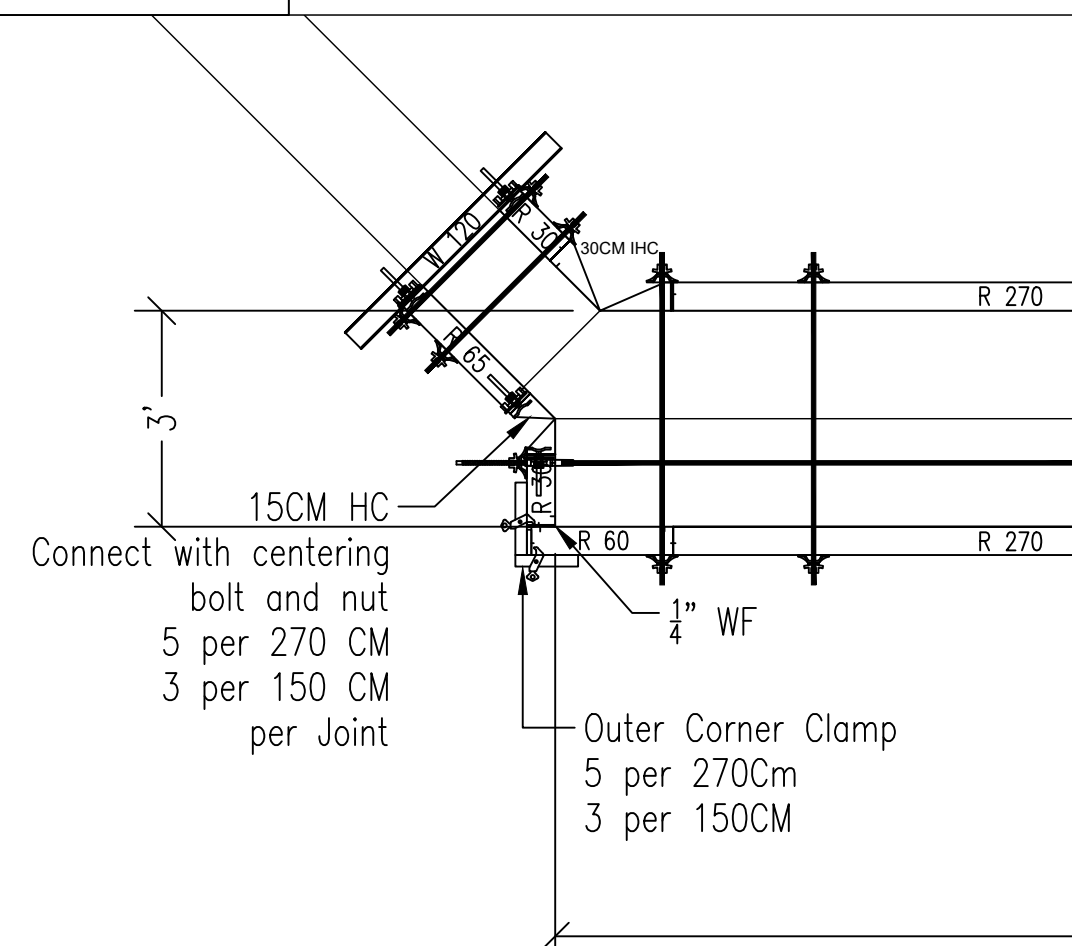
* (2:1 SAFETY FACTOR)

LEGEND

| | |
|-------------------------------------|---------------------------------------|
| BLB = BRICK LEDGE BRACKET | JBF = JOB BUILT FILLER |
| BLK = BRICKLAD BY CONTRACTOR | LB = LONG BOLT |
| BO = BOX OUT (BY CONTRACTOR) | OCB = OUTSIDE BAY CORNER (FACE) |
| BP = BRACE PLATE | OC = OUTSIDE CORNER |
| BT = BASE TIE | OCB = OUTSIDE HINGE CORNER |
| BTB = BASE TIE BOLT | P = PANEL (BY FIELD) |
| C/C = CENTER TO CENTER | PF = PLASTER FORM |
| CC = OUTSIDE CORNER | SB = STRONGBACK (DOUBLE 2X4) |
| CHK = COLUMN HINGED CORNER | SCB = SCAFFOLD BRACKET (500#) |
| DBL = DOUBLE (1" TO 2") | SC = 8"-C" C/C |
| F = FILLER (1" TO 2") | SM = SIMLAR |
| FA = FILLER ANGLE | SW = STRONGBACK |
| FF = FORM IN FIELD (BY CONTRACTOR) | T = TURNABLE BRACE (ALIGNMENT ONLY) |
| FS = FOOTING STEP | TB = TIE OF CONCRETE (ALIGNMENT ONLY) |
| FT = STANDARD GANG FORM LOOP TIE | TH = 8"-C" C/C |
| H = HORIZONTAL | TL = TIP OF CONCRETE |
| HB = HEAVY DUTY (FEET) | TY = TYPICAL |
| IBC = INSIDE BAY CORNER | UNO = UNLESS NOTED OTHERWISE |
| IC = INSIDE CORNER (4" FACE) | V = VERTICAL |
| ICB = INSIDE HINGE CORNER (5" FACE) | W = WALKER (DOUBLE 2X4) |
| ICB = INSIDE HINGE CORNER (5" FACE) | WB = WEDGE BOLT |
| | WBB = WEDGE & BRACE |



Pour 1



This drawing is intended to show equipment layout information and spacing. The actual equipment supplied for the project may differ from the equipment shown on this layout based on availability. Desuta Concrete Forms reserves the right to allow structurally acceptable substitute equipment as necessary.

WARNING
 Before using, putting up or taking down scaffolding, forming, or shoring check with your boss as to tie safe use. There are many ways you can be hurt or killed using scaffolding. Use all equipment in accordance with safety design requirements and standards.
 SAFETY MUST COME FIRST

| REV. | DESCRIPTION |
|------|-------------------------------|
| D. | |
| C. | |
| B. | Rev 2 issued for construction |
| A. | Wing wall changes |

| TRACED | A | B | C | D | DATE | A | B | C | D |
|----------|----|----|----|---|------|------------|------------|-----------|---|
| DRAWN | DL | DL | DL | | DATE | 04/04/2022 | 05/11/2022 | 6/14/2022 | |
| ENGINEER | | | | | DATE | | | | |
| CHECKED | | | | | DATE | | | | |

PRELIMINARY FOR QUOTATION PURPOSES ONLY
 PRELIMINARY FOR APPROVAL BY CUSTOMER
 WORKING DRAWING ISSUED FOR USE IN FIELD



| | | | |
|------------|-----------------------|-------|------|
| TITLE | Forming Plan - Pour 1 | | |
| PROJECT | Principio Quarry | | |
| LOCATION | | | |
| CONTRACTOR | | | |
| SCALE | DRAWING NO. | SHEET | REV. |
| 1/4"=1' | DD040422 | S1 | 1 |

