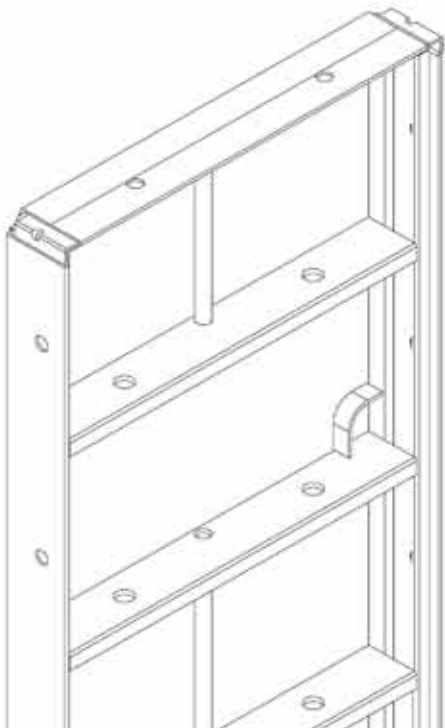


Vertical hand set and gang
formwork system

Modular Formwork MEGALITE

The **MEGALITE** is a vertical formwork system for handset and gang forming applications, using quick connecting clamps to join panels together.



Modular Formwork MEGALITE

MEGALITE

The Modular Formwork MEGALITE is the ideal system to form foundations, walls, columns, elevators' cores and any kind of vertical structures without the need of a crane.

The maximum allowable concrete pressure is 1250 p.s.f.

Basic elements

The range of Panels of the MEGALITE system is furnished as follows: Heights: 8', 6' and 4', Widths 30", 24", 18", 12", 6", 4" and 2".

These Panels have the external frame formed by steel profiles and internal ribs by rectangular tubes. The corners of the frame are reinforced with special casting elements. The panel face is birch plywood riveted to the frame.

The external profiles have lateral holes, for connecting hardware and also can be used for joining to "steel-ply" Panels using wedge bolts.

The ribs are multi-punched allowing easy mounting of accessories at different convenient locations.



Fixed Clamp

The MEGALITE Fixed Clamp is the one element that completes the system. It is the principal component of the system responsible for joining and aligning the panels. The joining of the panels is easy and effortless as the clamp is wedged on by simply using a hammer.

Columns forming

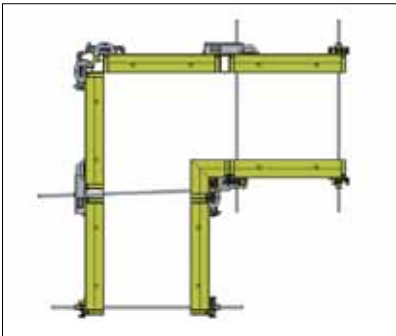
MEGALITE's Universal Panels will form any column width in 1" increments up to 30" without the use of ties. Rated at 1250 p.s.f. of pressure.



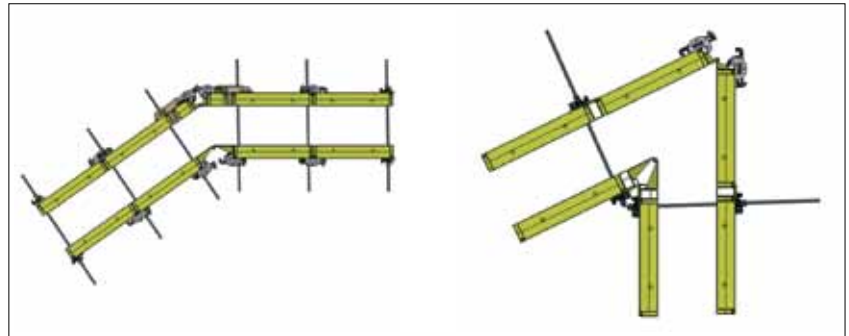


System's solutions

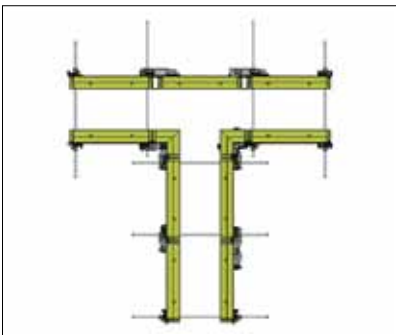
The Modular Formwork MEGALITE can easily form many wall conditions and configurations.



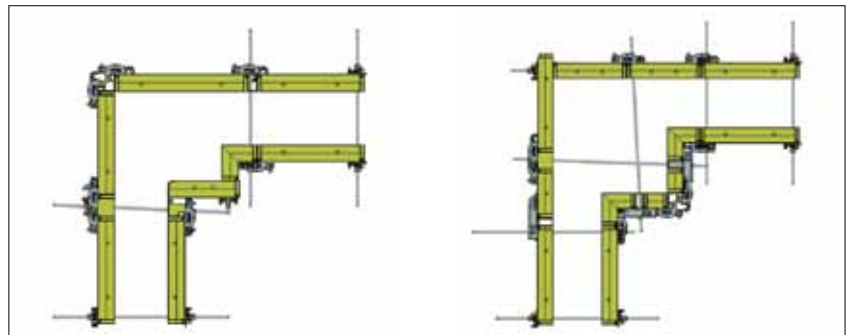
90° corners



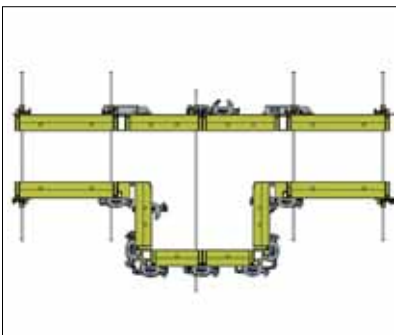
Corners at any angle



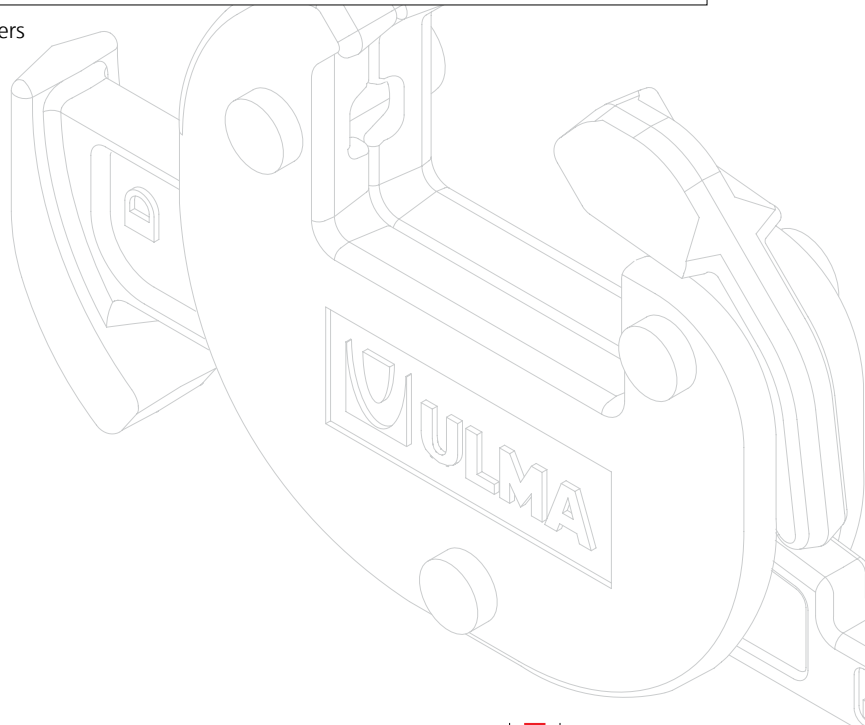
"T" intersections



Corner pilasters

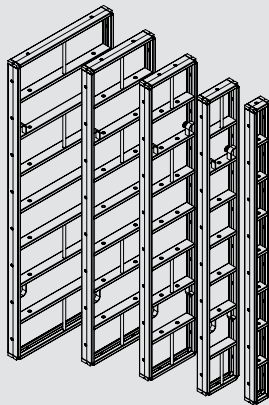


Middle of the wall pilasters

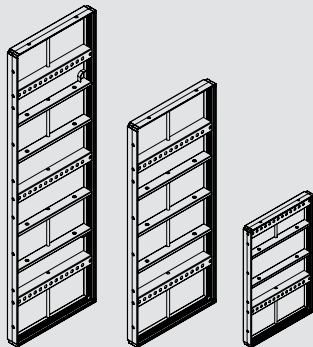


Basic components

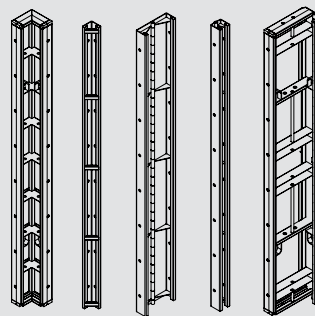
	WEIGHT (lbs)	ITEM No.
ML panel 8'x30"	125	1920340
ML panel 6'x30"	97	1920350
ML panel 4'x30"	67.5	1920360
ML panel 8'x24"	108	1920455
ML panel 6'x24"	83.8	1920456
ML panel 4'x24"	57.8	1920457
ML panel 8'x18"	91.3	1920473
ML panel 6'x18"	70.5	1920458
ML panel 4'x18"	48.5	1920459
ML panel 8'x12"	72.8	1920474
ML panel 6'x12"	56	1920460
ML panel 4'x12"	37.9	1920461
ML panel 8'x6"	54	1920475
ML panel 6'x6"	41	1920462
ML panel 4'x6"	27.8	1920463



ML universal PANEL 8'x30"	146	1920480
ML universal PANEL 6'x30"	109.8	1920490
ML universal PANEL 4'x30"	80.2	1920500



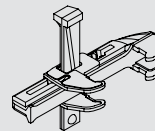
	WEIGHT (lbs)	ITEM No.
ML inside corner 8" x8" 8'	84.4	1920242
ML inside corner 8" x8" 6'	64.8	1920246
ML inside corner 8" x8" 4'	45.2	1920250
ML outside corner 8'	48.7	1920082
ML outside corner 6'	36.6	1920080
ML outside corner 4'	24.5	1920075
ML hinged inside corner 8'	121	1920130
ML hinged inside corner 6'	90.6	1920146
ML hinged inside corner 4'	60.6	1920158
ML hinged outside corner 8'	80	1920128
ML hinged outside corner 6'	60	1920140
ML hinged outside corner 4'	40.1	1920152
ML universal hinged corner 8'	143	1920098
ML universal hinged corner 6'	105.4	1920100
ML universal hinged corner 4'	81.6	1920110



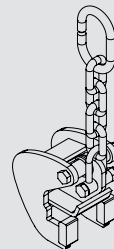
MEGALITE fixed clamp	2.2	1920818
----------------------	-----	---------



NEVI adjustable clamp	8.8	1920851
-----------------------	-----	---------



NEVI lifting hook	17.6	1920835
-------------------	------	---------



ULMA C y E, S. Coop.

Ps. Otadui, 3 - P.O. Box 13
20560 OÑATI (Guipúzcoa)
SPAIN
Phone: + 34 943 034900
Fax: + 34 943 034920

www.ulma-c.com

USA ULMA Form Works, Inc.

www.ulma-c.us

CANADA ULMA Construction System Canada Inc.

www.ulma-c.ca