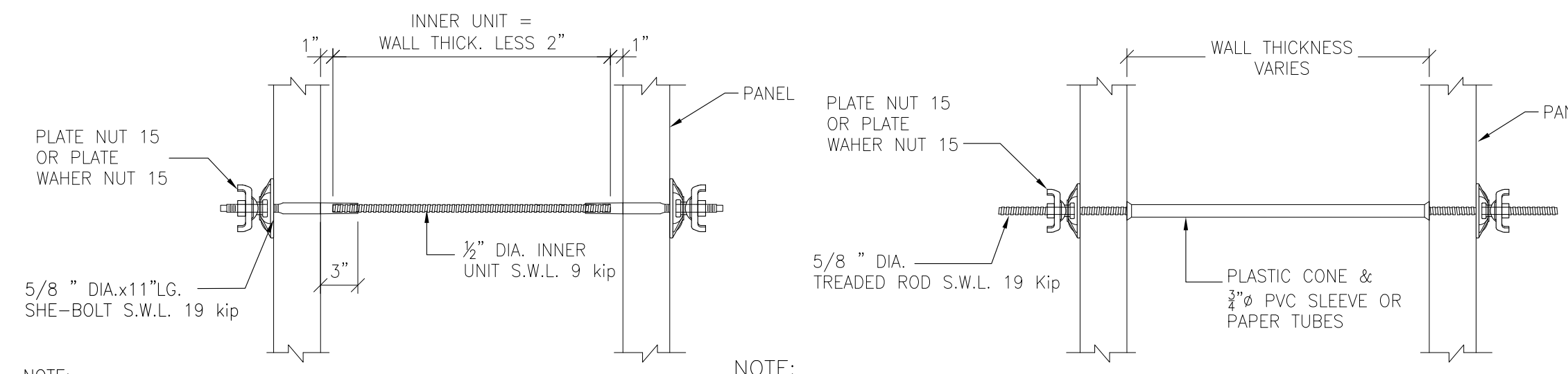


WORK THIS DRAWING IN CONJUNCTION WITH THE MEGALITE USER'S GUIDE

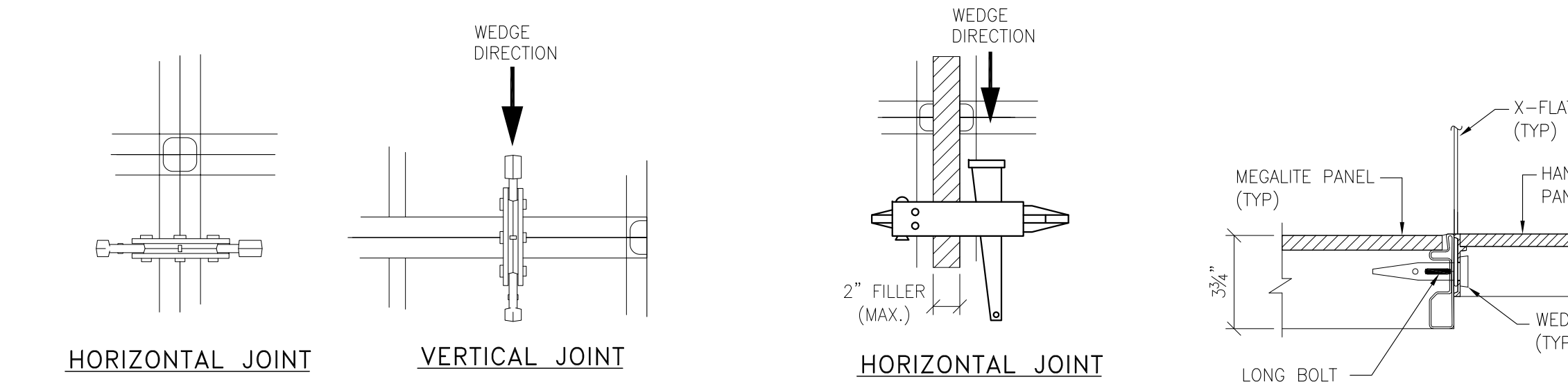


NOTE: UP TO 1 1/2" B.B. - PLATE WASHER NUT FOR 2" B.B. - FIXED WASHER NUT

NOTE: TO FACILITATE REMOVAL OF AND NOT TO CAUSE DAMAGE TO TIES, COAT WITH A WATERPROOF GREASE BEFORE INSTALLATION, BREAK INITIAL BOND BETWEEN THE TIES AND CONCRETE WITHIN 24 HOURS OF CONCRETE PLACEMENT.

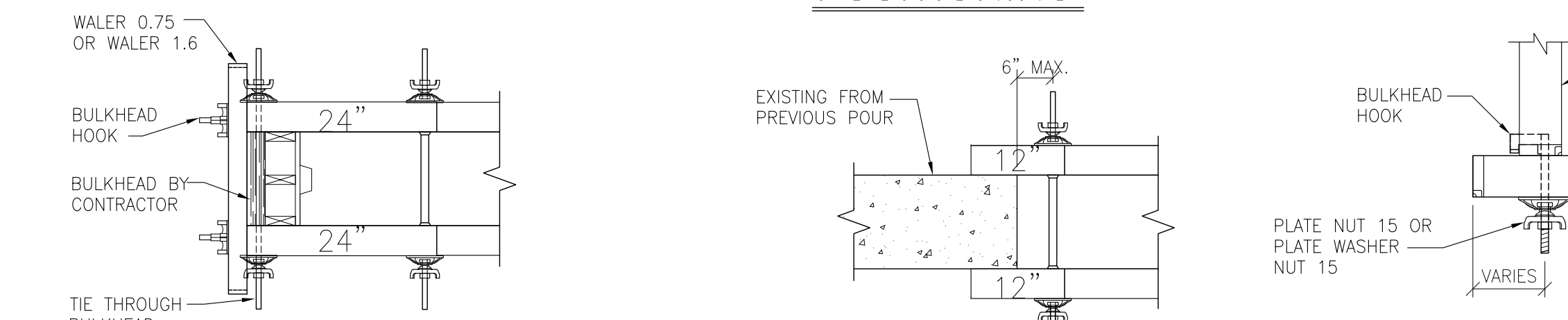
TYPICAL SHE-BOLT DETAIL
MAXIMUM CONCRETE PRESSURE DESIGN 1125 P.S.F.

TYPICAL TREADED ROD TIE DETAIL



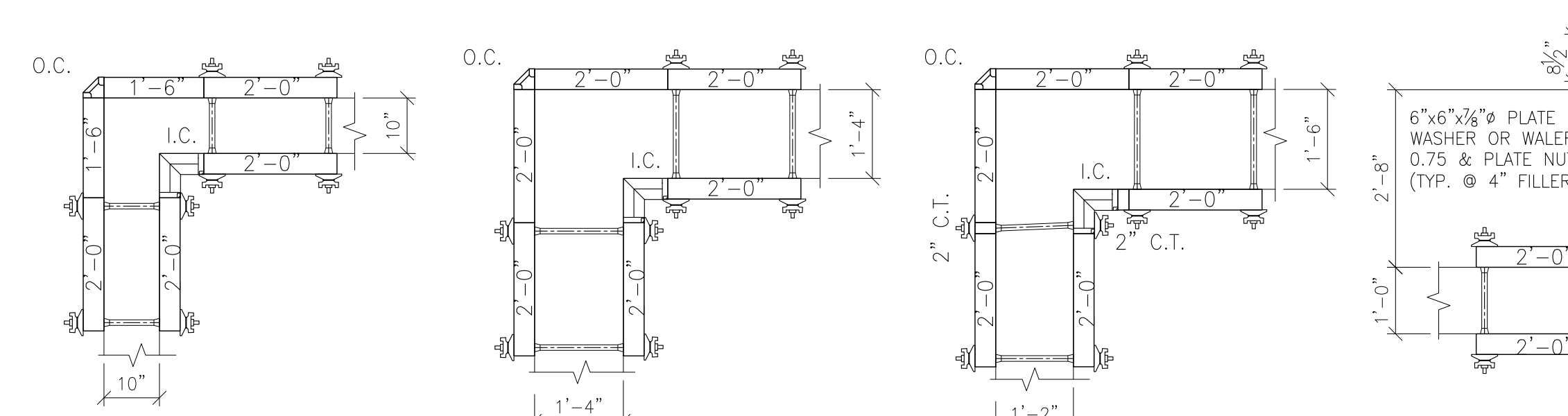
FIXED CLAMPS POSITIONING

ADJUSTABLE CLAMPS POSITIONING



TRANSITION DETAIL
CONNECTION DETAIL MEGALITE TO STEEL-PLY

TYPICAL BULKHEAD DETAIL

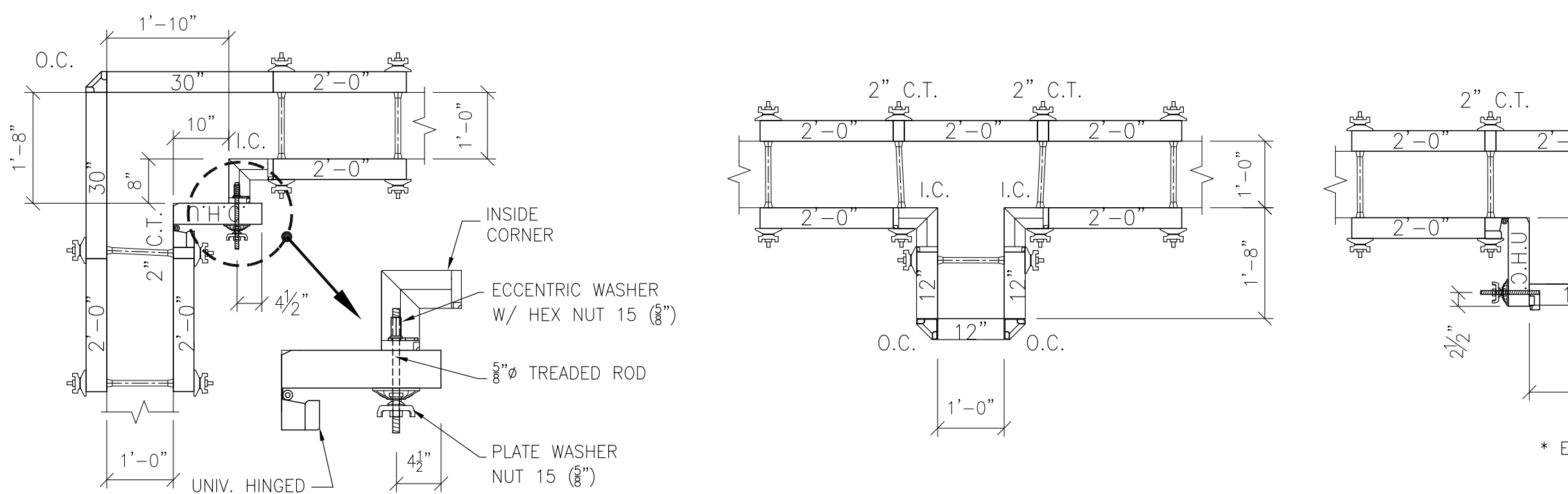


CORNER DETAIL 1 10"x10" WALL

CORNER DETAIL 2 16"x16" WALL

CORNER DETAIL 3 18"x14" WALL

CORNER DETAIL 4 12" WALL



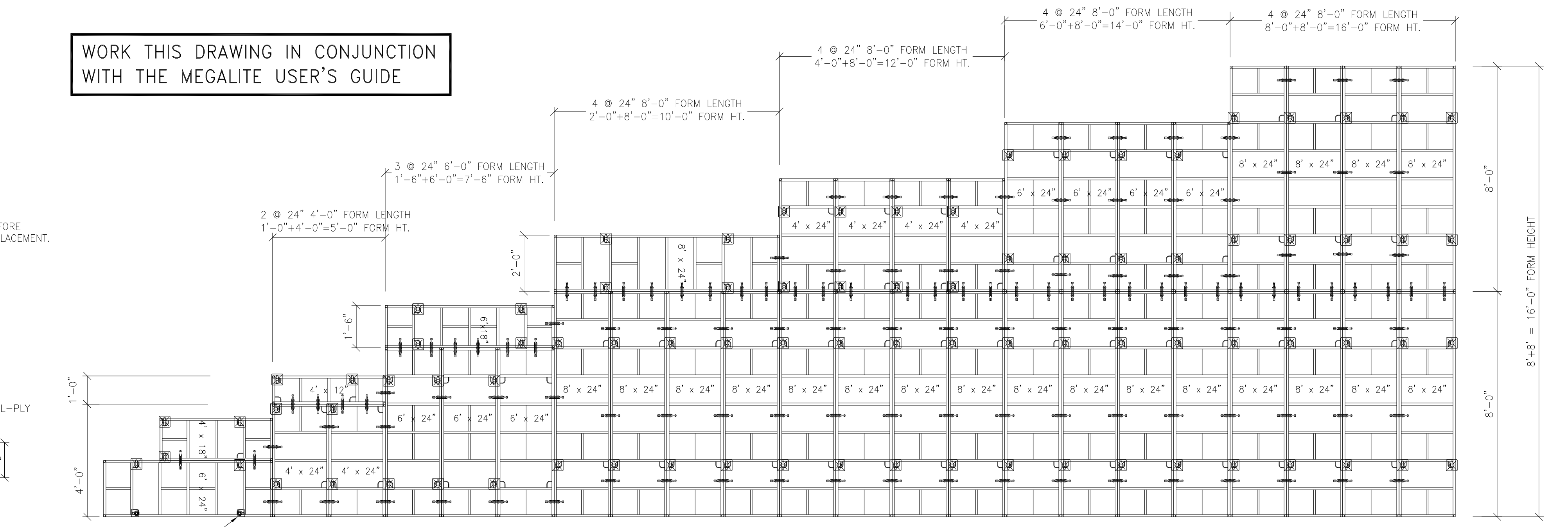
CORNER/PILASTER DETAIL 1 22"x20" PILASTER

PILASTER DETAIL 2 32"x12" PILASTER

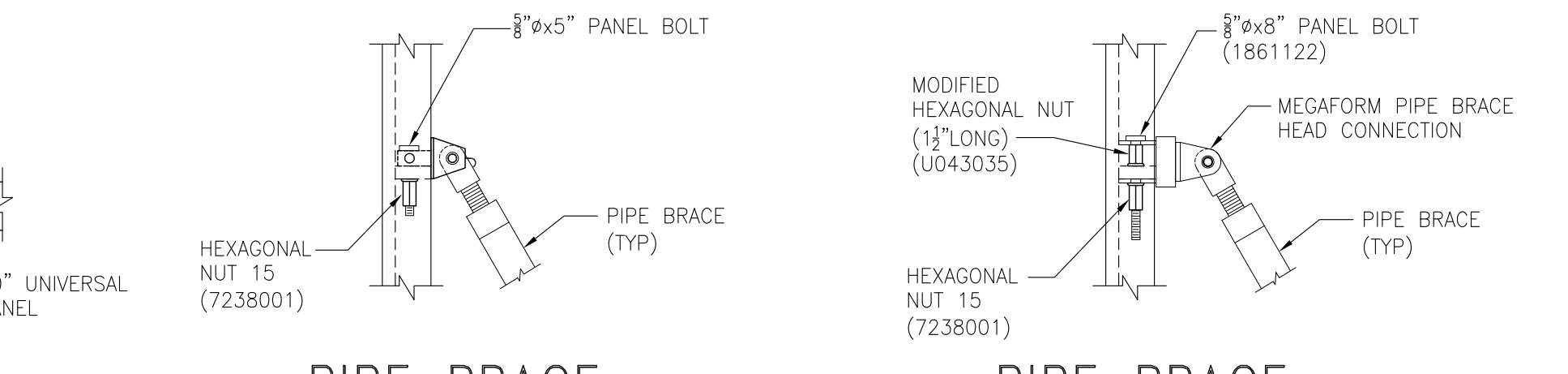
PILASTER DETAIL 3 24"x36" PILASTER

GENERAL NOTES

THIS DRAWING IS THE PROPERTY OF ULMA FORM WORKS, INC. IT IS OUR SUGGESTED FORM LAYOUT AND IS NOT TO BE MISUSED OR COPIED IN ANY WAY. IT IS THE CONTRACTOR'S RESPONSIBILITY TO VERIFY ALL DIMENSIONS BEFORE CONSTRUCTION. WOOD FORMING, JOB BUILT FILLERS, BOX-OUTS AND FRAMING ARE ILLUSTRATIONS ONLY. THE CONTRACTOR IS RESPONSIBLE FOR THE FABRICATION, PLACEMENT AND STRUCTURAL INTEGRITY OF EACH ITEM. UNLESS PROPOSAL STATES OTHERWISE, ULMA FORM WORKS, INC. DOES NOT FURNISH WOOD, TEMPLATE BOLTS, EMBEDDED ITEMS, ANCHORS OR WOOD FOR SCAFFOLDS AND HANDRAILS AS PART OF THE FORMING OR SHORING QUOTATION. WHERE MATERIAL SUPPLIED IS ON RENTAL, THE LESSEE WILL BE CHARGED FOR REPAIR WORK ON EQUIPMENT THAT IS REGARDED AS BEING DAMAGED BEYOND ORDINARY WEAR AND TEAR. THE COST OF REPAIRING FRAMES OR FACING MATERIAL WILL BE CHARGED TO THE LESSEE. IT IS THE CONTRACTOR'S RESPONSIBILITY TO USE SAFE PRACTICE IN THE ERECTION, DISMANTLING OR USE OF THE EQUIPMENT. SEE FORMING AND SHORING GENERAL SAFETY RULES.

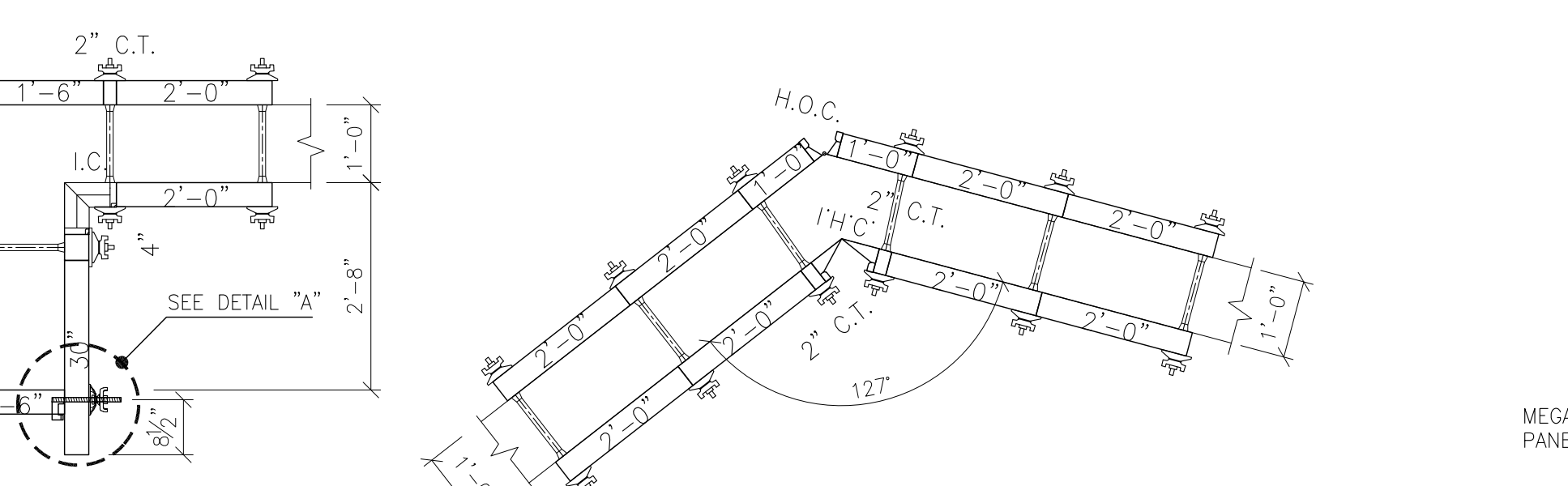


MEGALITE ELEVATION

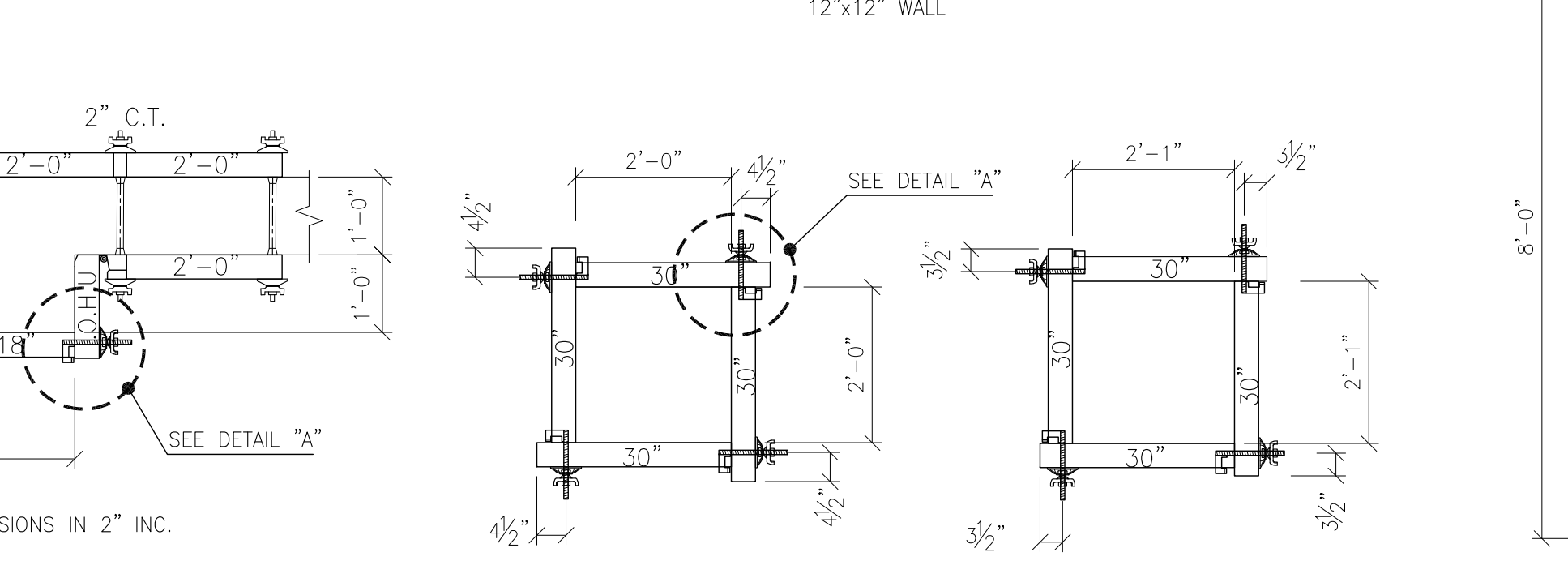


PIPE BRACE CONNECTION DETAIL 1

PIPE BRACE CONNECTION DETAIL 2



ANGLE WALL DETAIL 12"x12" WALL



COLUMN DETAIL 24"x24" COLUMN (MAX.) EVEN DIMENSIONS IN 2" INC.

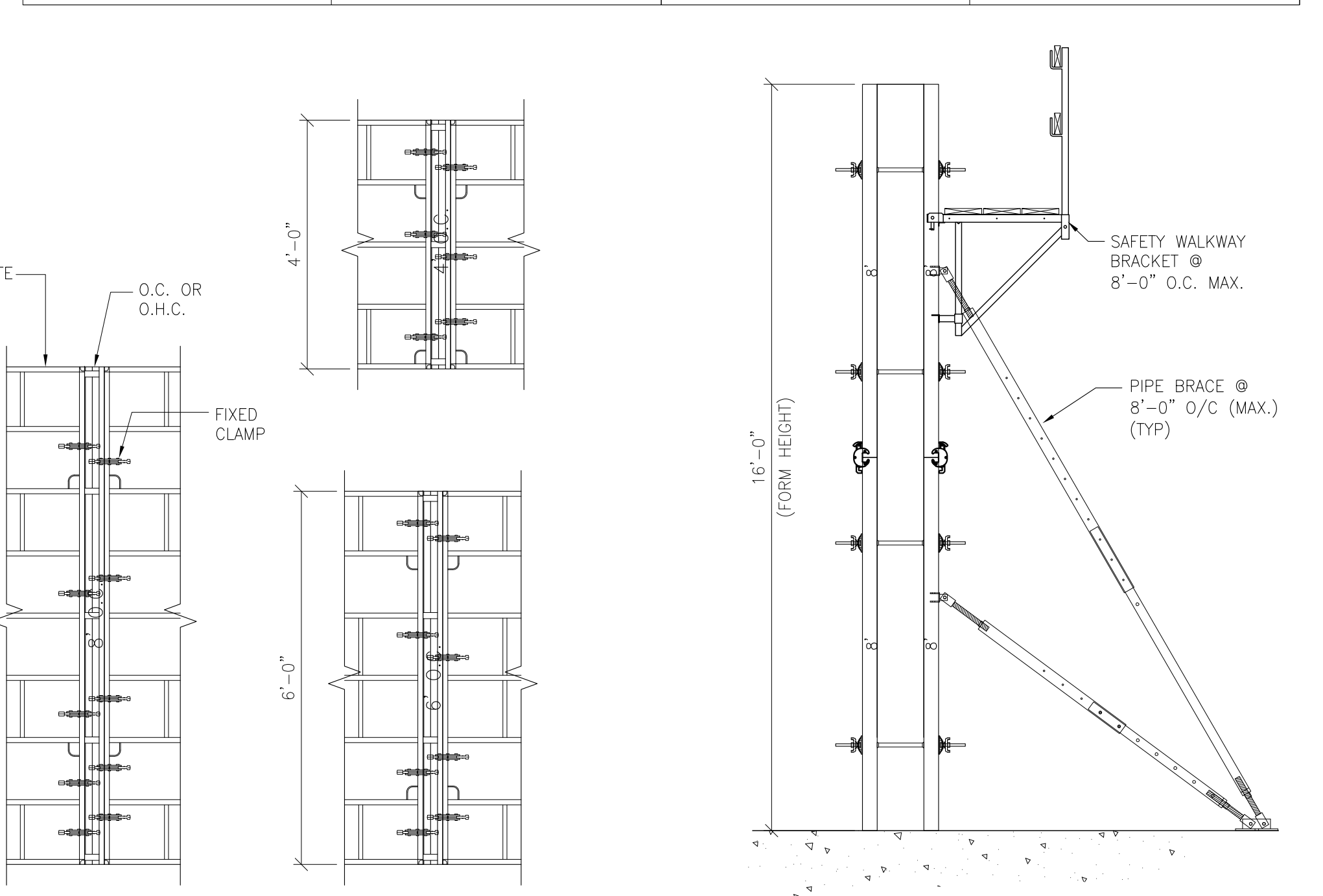
COLUMN DETAIL 25"x25" COLUMN (MAX.) ODD DIMENSIONS IN 2" INC.

LEGEND

B/O = BOX OUT (BY CONTRACTOR)
 F.I.F. = FORM IN FIELD (BY CONTR.)
 J.B.F. = JOB BUILT FILLER (BY CONTR.)
 I.C. = INSIDE CORNER
 H.I.C. = HINGED INSIDE CORNER
 H.O.C. = HINGED OUTSIDE CORNER
 R.I.C. = RETRACTABLE INSIDE CORNER
 U.C. = UNIVERSAL CORNER
 U.H.C. = UNIVERSAL HINGED CORNER
 C.T. = COMPENSATION TUBE
 W.B. = WALKWAY BRACKET
 W = WALER

C.F. = COMPENSATION FILLER
 U.P. = UNIVERSAL PANEL
 T/R = TIE ROD
 T/T = TAPER TIE
 S/B = SHE-BOLT
 S.F. = STEP FOOTING
 C.J. = CONNECTION JOINT
 U.O.N. = UNLESS OTHERWISE NOTED
 O.C. = OUTSIDE CORNER

MEGALITE LEGEND			
	WALER .70 (W)		PLATE NUT 15 (PN) OR PLATE WASHER NUT 15 (PWN)
	WALER 1.60 (W)		ECCENTRIC WASHER (EW)
	ADJUSTABLE CLAMP (AC)		SAFETY WALKWAY BRACKET (SWB)
	FIXED CLAMP (FC)		HINGED INSIDE CORNER (H.I.C.)
	LIFTING HOOK (LH)		HINGED OUTSIDE CORNER (H.O.C.)
	5" OR 8" PANEL BOLT W/HEXAGONAL NUT 15		
	BULKHEAD HOOK (BH)		
	OUTSIDE CORNER (O.C.)		



O.C. & O.H.C. ELEVATION FIXED CLAMPS LOCATION

16' FORM HT. SECTION

2301 Grays Road, Baltimore, Maryland, 21222 Ph# (443)296-9852 Fax (443)296-9860

TYPICAL MEGALITE DETAILS

ULMA

SHEET NO. TML-1
 REV. 02/09/07